

CLIMATE

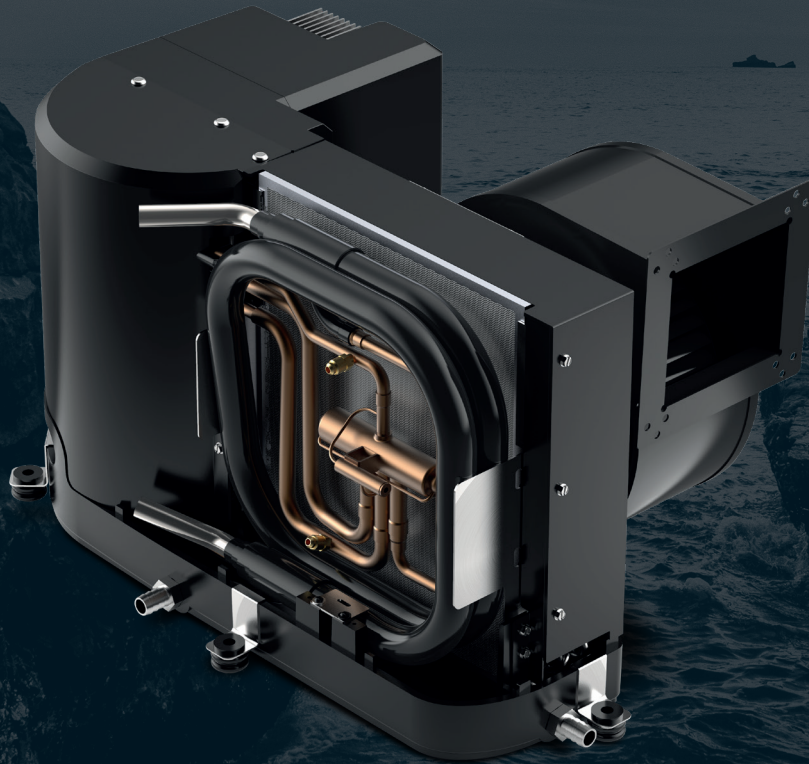
VOYAGER SERIES TURBO VARIABLE CAPACITY

Turbo self-contained units provide variable capacity cooling and heating for maximum system efficiency.

QUIET OPERATION
VARIABLE CAPACITY

ELECTRONIC EXPANSION VALVE
PRECISE CONTROL

TITANIUM CONDENSER
ROBUST CONSTRUCTION



100-250V/50-60Hz/1-Ph



12-48V DC



3,000 - 18,000 BTU

Mobile living made easy.

 **DOMETIC**

VOYAGER VARIABLE CAPACITY SELF CONTAINED SYSTEM

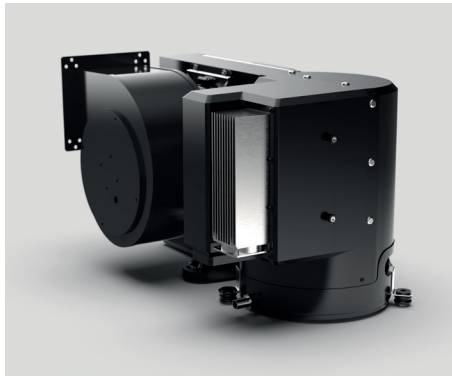


Climate comfort is key to having a relaxing day on the water. With Dometic's Turbo Variable Capacity self-contained air-conditioner, you get a system that regulates compressor speed based on the cooling or heating demand in your vessel. Once the boat has reached the desired set point, the compressor will run at a reduced speed. This results in a quiet operation, power efficiency, improved dehumidification and a constant temperature for ultimate comfort.

By using a variable speed compressor in lieu of a fixed speed compressor, the system provides substantial cost savings. Depending on the age and efficiency of your current system, you can see as much as a 40% reduction in amperage. The ECO mode function on the Voyager also allows you to lower your compressor speed to limit amperage, preventing system shutdown in limited power situations.

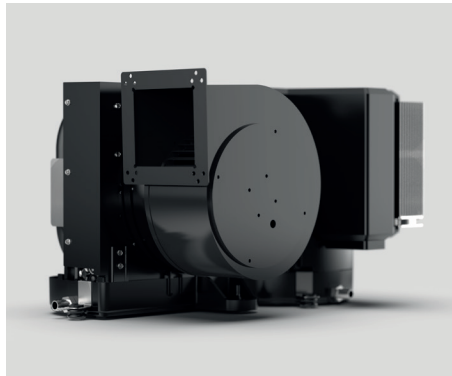
The Voyager unit equipped with an adjustable speed compressor runs longer cycles at lower speeds instead of constantly starting and stopping. This significantly reduces the wear and tear on the equipment, resulting in lower repair costs and less downtime.

Traditional air conditioners and heat pumps are subjected to numerous hard starts over the life of the equipment, which places a great deal of stress on critical internal components. Running longer cycles at lower speeds reduces the number of times the system must hard start. Over time, this can help extend the service life of the equipment.



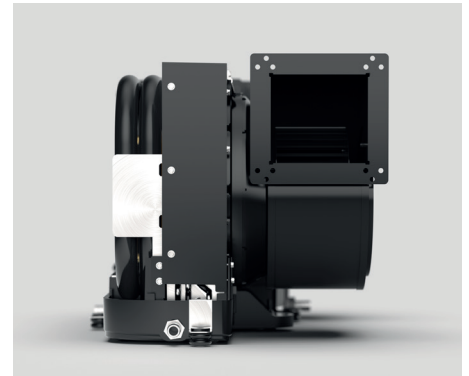
VARIABLE CAPACITY

TVARCX variable capacity Turbo unit available in two size options that will provide cooling from 6,000BTU to 18,000BTU.



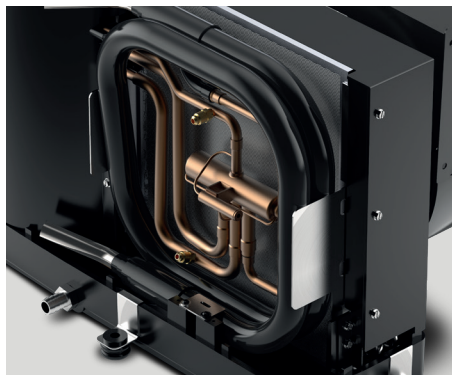
DC BLOWER

Includes a high static DC blower.



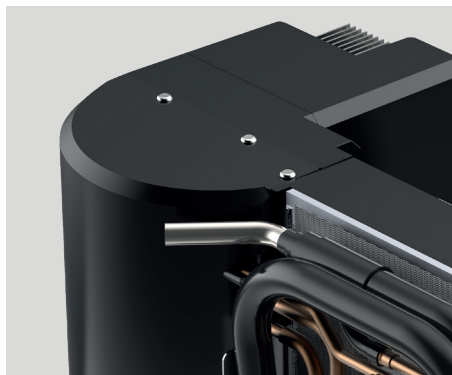
COMPACT SIZE

Retro-fittable for Turbo units.



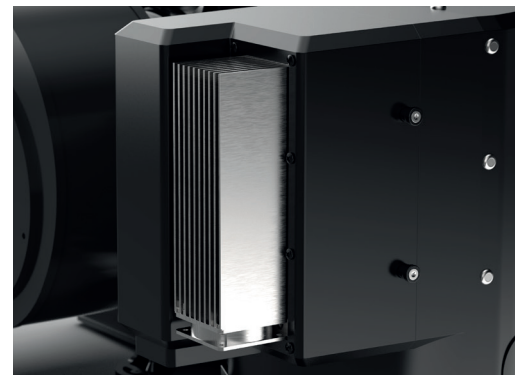
TITANIUM CONDENSER

Robust design.



SOUND COVER

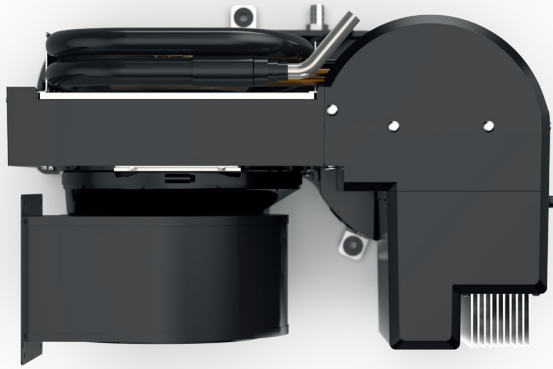
Quiet Operation.



REMOVABLE ELECTRIC BOX

Can be remote mounted.

HIGH EFFICIENCY COOLING IN A COMPACT PACKAGE



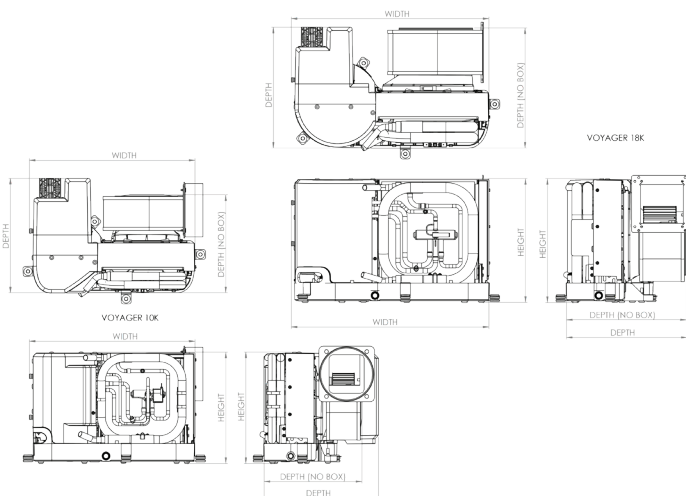
The Voyager system runs 80% of the time at low speeds maintaining temperature in your vessel. At the lower speeds you will see a 40% reduction in system noise, resulting in very quiet operation. The Voyager is also equipped with a sleepmode function that allows for a quiet and uninterrupted great night's sleep.

The Voyager provides the ultimate in temperature and humidity control. Longer cycles at lower speeds help maintain even temperatures throughout the vessel, and hot spots and stale air pockets are eliminated. In many instances, you'll enjoy a better level of comfort at a higher thermostat setting.

KEY FEATURES & BENEFITS

- Available in 6-10k, 12-18k BTU (2 units - 2 SKUs)
- Available in 115/230/1/50-60hz, World Premiere Optional DC power input 12-48VDC World Premiere (Sold Separately)
- Variable capacity compressor
- Titanium condenser coil
- DC high velocity rotatable blower
- Reverse cycle heat
- Composite positive flow condensate pan
- Standard sound cover
- No starting amperage
- Built in network hardware NEMA2000
- Electric box can be remote mounted

TVARX10 DIMENSIONS



Model	TX10	TX18
Capacity (BTU)	6,000-10,000	12,000-18,000
Voltage (V)	100-240V	100-240V
Cycle (Hz)	50 or 60	50 or 60
Min. Input Power*	105	190
Max. Input Power *	725	1325
Min. Circuit Breaker 115V (A)	TBD	TBD
Max. Circuit Breaker 115V (A)	TBD	TBD
Min. Circuit Breaker 230V (A)	TBD	TBD
Max. Circuit Breaker 230 (A)	TBD	TBD
Refrigerant Type	410A	410A
Height (in/mm)	12.26	13.64
Width (in/mm)	18.25	21.78
Depth (in/mm), ebox on unit	12.60	13.29
Depth (in/mm), ebox remote	10.79	13.21
Gross Weight (lbs/kg)	53/24	65/29
Net Weight (lbs/kg)	45/20	55/25
Height-Electrical Box (in/mm)	9.45	9.45
Width-Electrical Box (in/mm)	6.88	6.88
Depth-Electrical Box (in/mm)	6.25	6.25
Recommended Duct Size (in/mm)**	6/152	7/178

*In cool mode at 85F water and seawater pump not included.

**Duct size may change based on BTU load requirements.

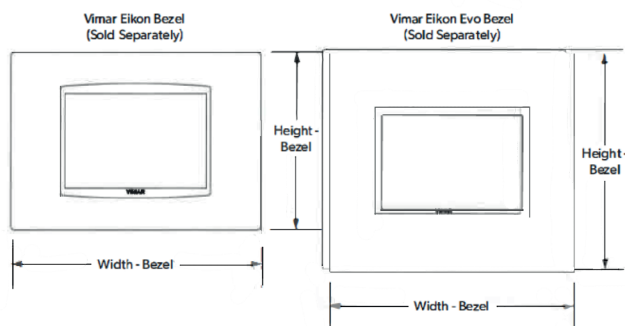
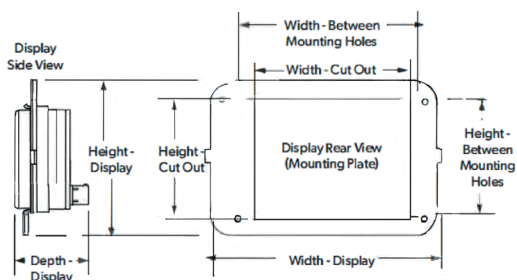
INDEPENDENT CONTROL FOR PERSONAL COMFORT!



Intuitively designed touch screen, with easy to understand user menu. 2.4" LCD screen with vivid color and clarity. Combine the display with the Vimar Eikon bezel to coordinate with any rooms décor. Display Bezel sold separately.

KEY BENEFITS

- Touch screen
- WiFi
- Remote connectivity
- Eco mode
- Sleep mode
- Auto mode
- Remote air/humidity sensor
- Fits all Eikon style bezels
- 8 pin display cable



SPECIFICATIONS

DISPLAY DIMENSIONS

Height: 2.87 in/73 mm
Width: 4.31 in/110 mm
Depth: 1.37 in/35 mm

CUTOUT DIMENSIONS

Height: 2.17 in/55 mm
Width: 2.9 in/74 mm

MOUNTING HOLES

Height: 2.17 in/55 mm
Width: 3.47 in/88 mm

VIMAR EIKON BEZEL DIMENSIONS

Height: 3.31 in/84 mm
Width: 4.72 in/120 mm

VIMAR EIKON EVO BEZEL DIMENSIONS

Height: 4.15 in/106 mm
Width: 4.62 in/118 mm